

DATA SHEET

Three Phase Induction Motor - Squirrel Cage



Customer :			
Product line	: Rolled Steel Premium Efficiency Three-Phase	Product code :	12759193
		Catalog # :	.7518OT3E56-S
Frame	: 56	Cooling method	: IC01 - ODP
Insulation class	: F	Mounting	: F-1
Duty cycle	: Cont.(S1)	Rotation ¹	: Both (CW and CCW)
Ambient temperature	: -20°C to +40°C	Starting method	: Direct On Line
Altitude	: 1000 m.a.s.l.	Approx. weight ²	: 23.5 lb
		Moment of inertia (J)	: 0.0712 sq.ft.lb
Output [HP]	0.75	0.75	0.75
Poles	4	4	4
Frequency [Hz]	60	50	50
Rated voltage [V]	208-230/460	190/380	220/415
Rated current [A]	2.54-2.30/1.15	2.62/1.31	2.43/1.29
L. R. Amperes [A]	18.5-16.8/8.40	14.9/7.47	15.1/8.00
LRC [A]	7.3x(Code K)	5.7x(Code H)	6.2x(Code J)
No load current [A]	1.38-1.60/0.800	1.53/0.763	1.59/0.844
Rated speed [RPM]	1760	1445	1450
Slip [%]	2.22	3.67	3.33
Rated torque [ft.lb]	2.24	2.73	2.72
Locked rotor torque [%]	250	170	190
Breakdown torque [%]	300	240	270
Service factor		1.25	1.25
Temperature rise	80 K	80 K	80 K
Locked rotor time	37s (cold) 21s (hot)	43s (cold) 24s (hot)	37s (cold) 21s (hot)
Noise level ²	52.0 dB(A)	49.0 dB(A)	49.0 dB(A)
Efficiency (%)	25%	71.6	74.1
	50%	74.0	75.0
	75%	78.5	78.6
	100%	81.1	79.1
Power Factor	25%	0.29	0.31
	50%	0.52	0.55
	75%	0.65	0.69
	100%	0.74	0.78
Bearing type	: <u>Drive end</u> 6203 ZZ <u>Non drive end</u> 6202 ZZ	Foundation loads	
Sealing	: Without Without	Max. traction	: 60 lb
	Bearing Seal Bearing Seal	Max. compression	: 83 lb
Lubrication interval	: - -		
Lubricant amount	: - -		
Lubricant type	: Mobil Polyrex EM		
Notes USABLE @208V SF 1.00			
This revision replaces and cancel the previous one, which must be eliminated. (1) Looking the motor from the shaft end. (2) Measured at 1m and with tolerance of +3dB(A). (3) Approximate weight subject to changes after manufacturing process. (4) At 100% of full load.		These are average values based on tests with sinusoidal power supply, subject to the tolerances stipulated in NEMA MG-1.	
Rev.	Changes Summary	Performed	Checked
			Date
Performed by			
Checked by			Page
Date	22/03/2021		Revision
			1 / 16

TORQUE AND CURRENT VS SPEED CURVE

Three Phase Induction Motor - Squirrel Cage

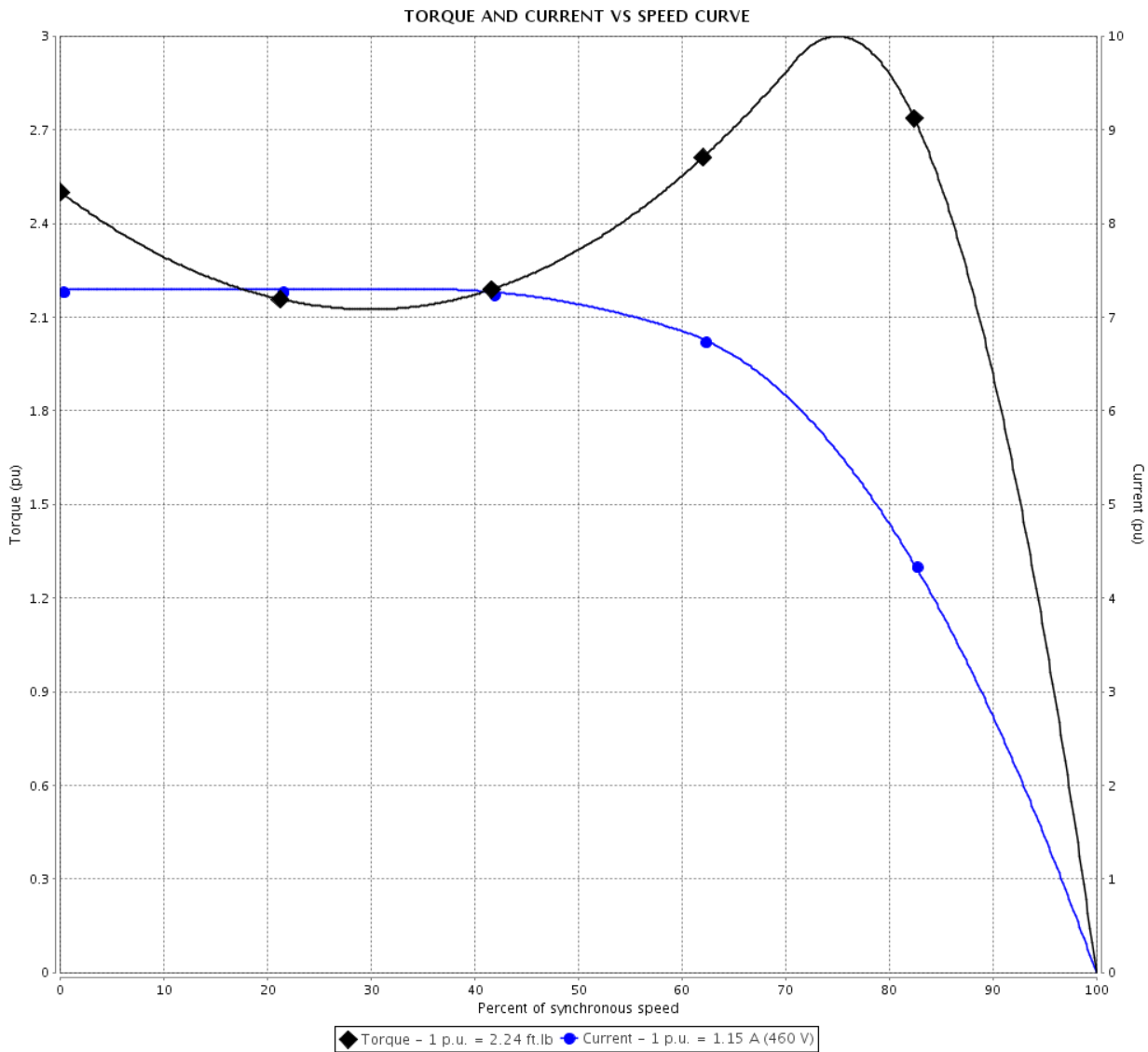


Customer :

Product line : Rolled Steel Premium Efficiency
Three-Phase

Product code : 12759193

Catalog # : .7518OT3E56-S



Performance : 208-230/460 V 60 Hz 4P

Rated current	: 2.54-2.30/1.15 A	Moment of inertia (J)	: 0.0712 sq.ft.lb
LRC	: 7.3	Duty cycle	: Cont.(S1)
Rated torque	: 2.24 ft.lb	Insulation class	: F
Locked rotor torque	: 250 %	Service factor	:
Breakdown torque	: 300 %	Temperature rise	: 80 K
Rated speed	: 1760 rpm		

Locked rotor time : 37s (cold) 21s (hot)

Rev.	Changes Summary	Performed	Checked	Date
Performed by			Page 2 / 16	Revision
Checked by				
Date	22/03/2021			

TORQUE AND CURRENT VS SPEED CURVE



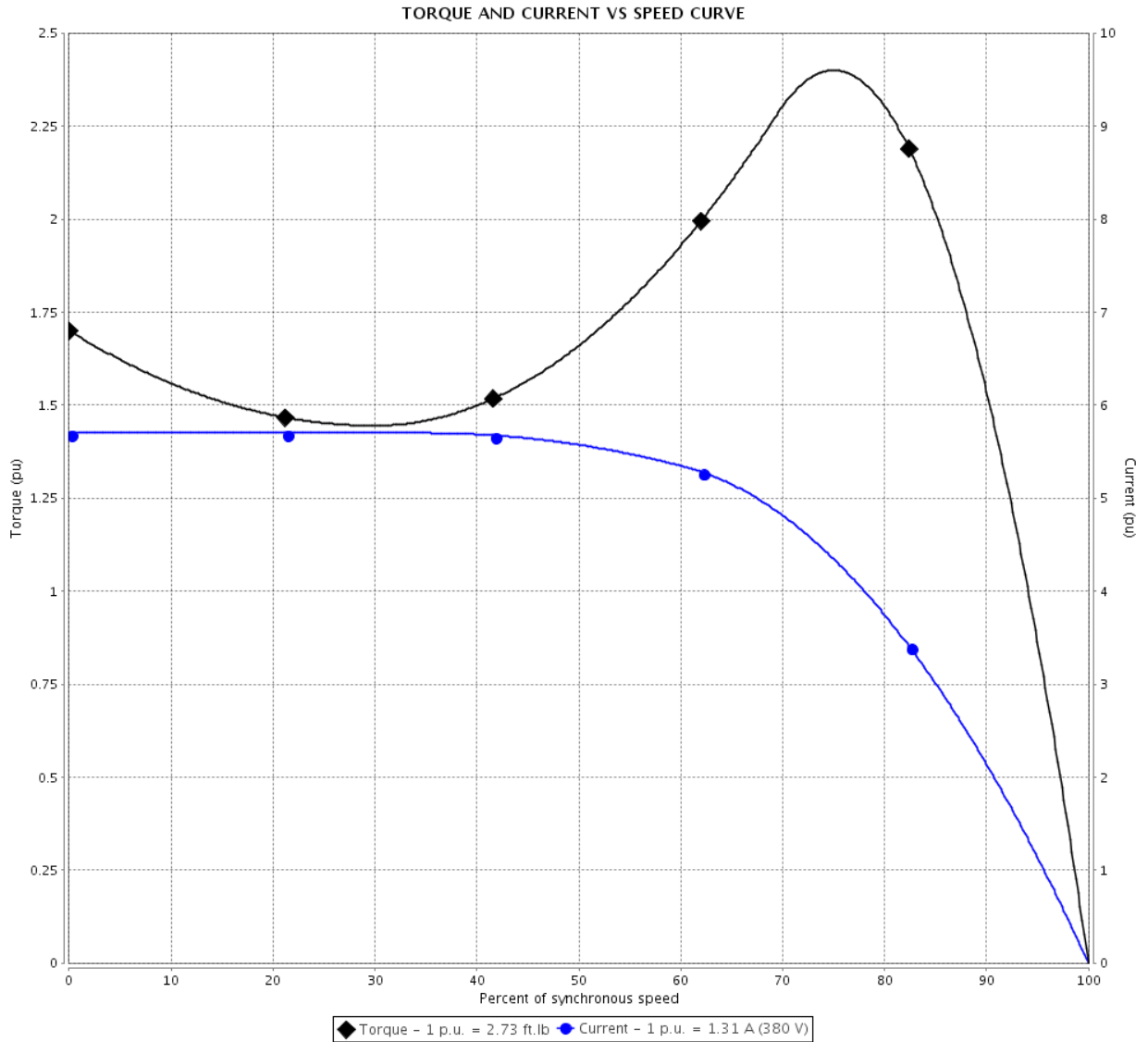
Three Phase Induction Motor - Squirrel Cage

Customer :

Product line : Rolled Steel Premium Efficiency
Three-Phase

Product code : 12759193

Catalog # : .7518OT3E56-S



Performance : 190/380 V 50 Hz 4P

Rated current : 2.62/1.31 A
LRC : 5.7
Rated torque : 2.73 ft.lb
Locked rotor torque : 170 %
Breakdown torque : 240 %
Rated speed : 1445 rpm

Moment of inertia (J) : 0.0712 sq.ft.lb
Duty cycle : Cont.(S1)
Insulation class : F
Service factor : 1.25
Temperature rise : 80 K

Locked rotor time : 43s (cold) 24s (hot)

Rev.	Changes Summary	Performed	Checked	Date
Performed by			Page 3 / 16	Revision
Checked by				
Date	22/03/2021			

TORQUE AND CURRENT VS SPEED CURVE

Three Phase Induction Motor - Squirrel Cage



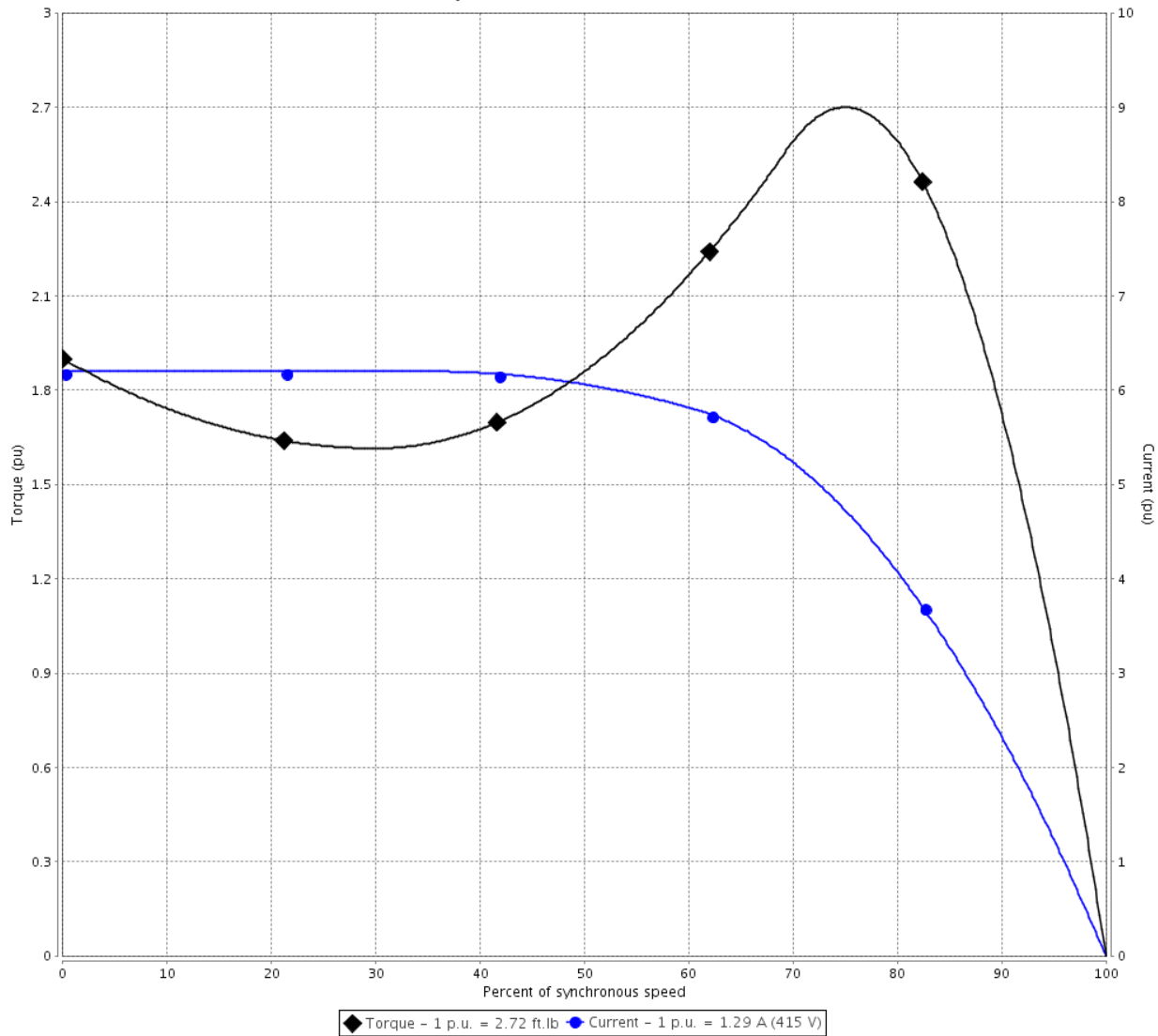
Customer :

Product line : Rolled Steel Premium Efficiency
Three-Phase

Product code : 12759193

Catalog # : .7518OT3E56-S

TORQUE AND CURRENT VS SPEED CURVE



Performance : 220/415 V 50 Hz 4P

Rated current : 2.43/1.29 A
LRC : 6.2
Rated torque : 2.72 ft.lb
Locked rotor torque : 190 %
Breakdown torque : 270 %
Rated speed : 1450 rpm

Moment of inertia (J) : 0.0712 sq.ft.lb
Duty cycle : Cont.(S1)
Insulation class : F
Service factor : 1.25
Temperature rise : 80 K

Locked rotor time : 37s (cold) 21s (hot)

Rev.	Changes Summary	Performed	Checked	Date
Performed by			Page 4 / 16	Revision
Checked by				
Date	22/03/2021			

LOAD PERFORMANCE CURVE

Three Phase Induction Motor - Squirrel Cage

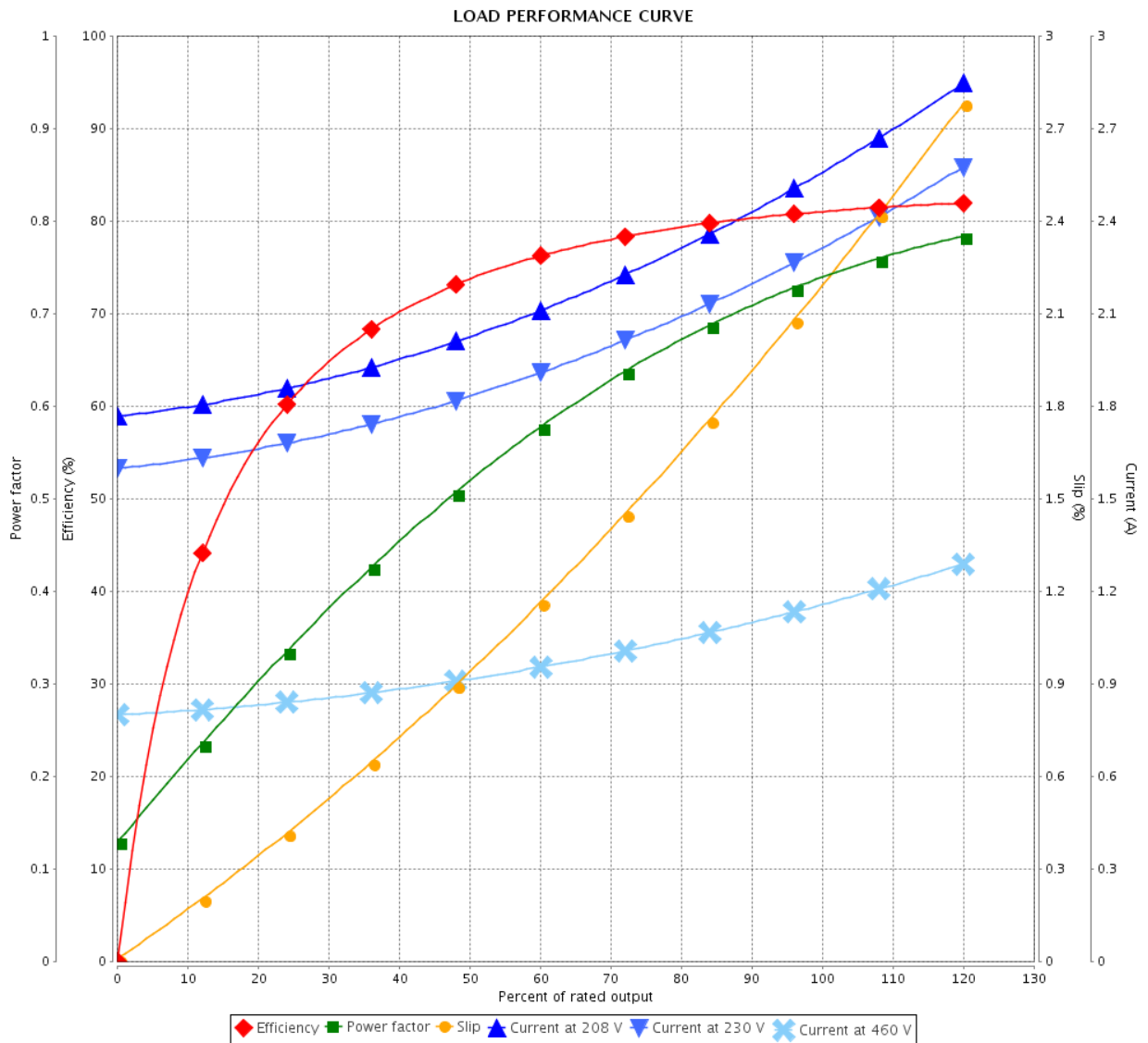


Customer :

Product line : Rolled Steel Premium Efficiency Three-Phase

Product code : 12759193

Catalog # : .7518OT3E56-S



Performance : 208-230/460 V 60 Hz 4P

Rated current : 2.54-2.30/1.15 A
 LRC : 7.3
 Rated torque : 2.24 ft.lb
 Locked rotor torque : 250 %
 Breakdown torque : 300 %
 Rated speed : 1760 rpm

Moment of inertia (J) : 0.0712 sq.ft.lb
 Duty cycle : Cont.(S1)
 Insulation class : F
 Service factor :
 Temperature rise : 80 K

Rev.	Changes Summary	Performed	Checked	Date
Performed by			Page	Revision
Checked by			5 / 16	
Date	22/03/2021			

LOAD PERFORMANCE CURVE

Three Phase Induction Motor - Squirrel Cage

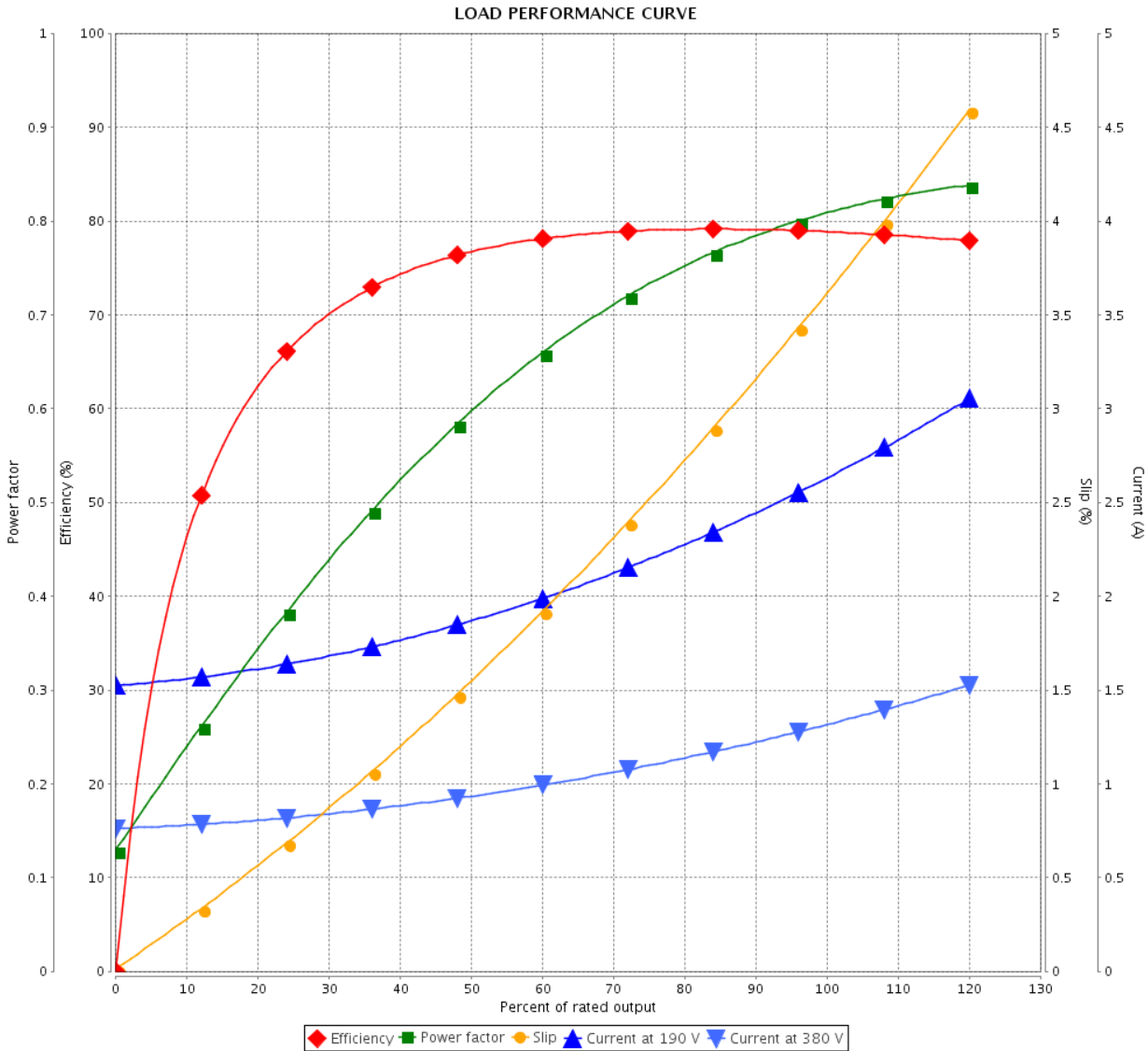


Customer :

Product line : Rolled Steel Premium Efficiency Three-Phase

Product code : 12759193

Catalog # : .7518OT3E56-S



Performance : 190/380 V 50 Hz 4P

Rated current : 2.62/1.31 A
 LRC : 5.7
 Rated torque : 2.73 ft.lb
 Locked rotor torque : 170 %
 Breakdown torque : 240 %
 Rated speed : 1445 rpm

Moment of inertia (J) : 0.0712 sq.ft.lb
 Duty cycle : Cont.(S1)
 Insulation class : F
 Service factor : 1.25
 Temperature rise : 80 K

Rev.	Changes Summary	Performed	Checked	Date
Performed by		Page		Revision
Checked by		6 / 16		
Date	22/03/2021			

LOAD PERFORMANCE CURVE

Three Phase Induction Motor - Squirrel Cage

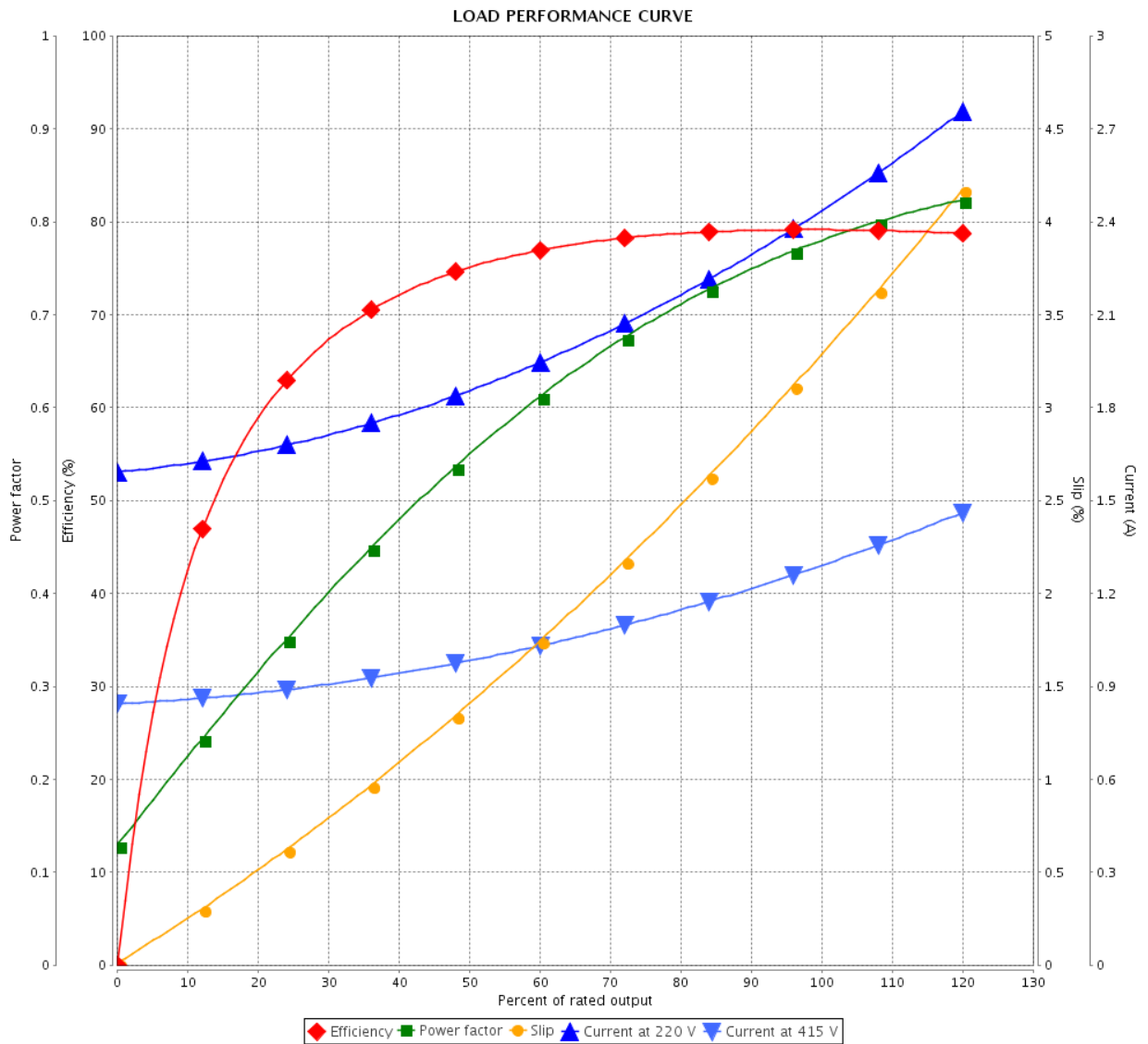


Customer :

Product line : Rolled Steel Premium Efficiency Three-Phase

Product code : 12759193

Catalog # : .7518OT3E56-S



Performance : 220/415 V 50 Hz 4P

Rated current : 2.43/1.29 A
 LRC : 6.2
 Rated torque : 2.72 ft.lb
 Locked rotor torque : 190 %
 Breakdown torque : 270 %
 Rated speed : 1450 rpm

Moment of inertia (J) : 0.0712 sq.ft.lb
 Duty cycle : Cont.(S1)
 Insulation class : F
 Service factor : 1.25
 Temperature rise : 80 K

Rev.	Changes Summary	Performed	Checked	Date
Performed by			Page	Revision
Checked by			7 / 16	
Date	22/03/2021			

THERMAL LIMIT CURVE



Three Phase Induction Motor - Squirrel Cage

Customer :

Product line : Rolled Steel Premium Efficiency
Three-Phase

Product code : 12759193

Catalog # : .7518OT3E56-S

Performance : 208-230/460 V 60 Hz 4P

Rated current : 2.54-2.30/1.15 A
LRC : 7.3
Rated torque : 2.24 ft.lb
Locked rotor torque : 250 %
Breakdown torque : 300 %
Rated speed : 1760 rpm

Moment of inertia (J) : 0.0712 sq.ft.lb
Duty cycle : Cont.(S1)
Insulation class : F
Service factor :
Temperature rise : 80 K

Heating constant

Cooling constant

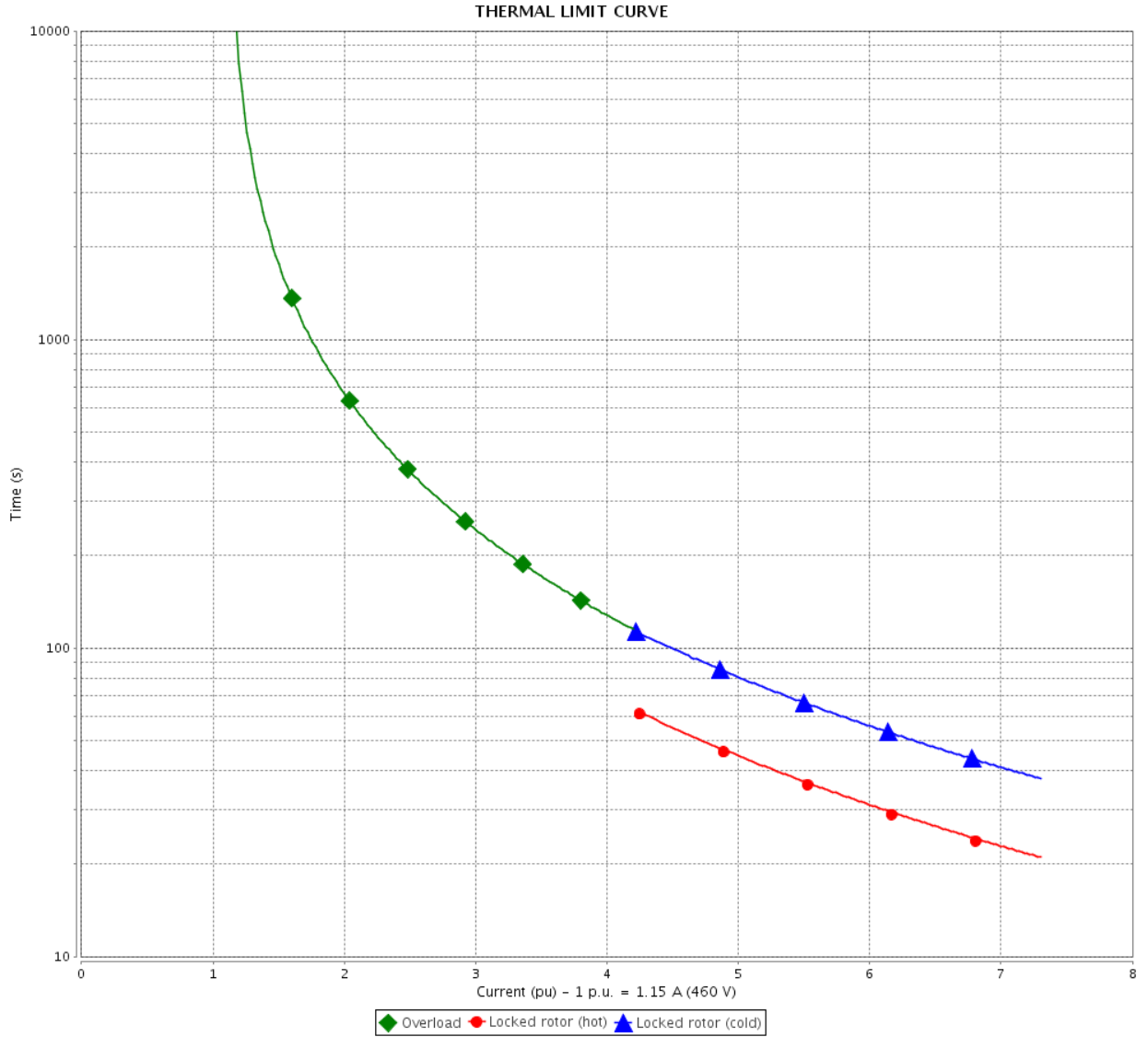
Rev.	Changes Summary	Performed	Checked	Date
Performed by				
Checked by			Page	Revision
Date	22/03/2021		8 / 16	

THERMAL LIMIT CURVE

Three Phase Induction Motor - Squirrel Cage



Customer : _____



Rev.	Changes Summary	Performed	Checked	Date
Performed by		Page 9 / 16		Revision
Checked by				
Date	22/03/2021			

THERMAL LIMIT CURVE



Three Phase Induction Motor - Squirrel Cage

Customer :

Product line : Rolled Steel Premium Efficiency
Three-Phase

Product code : 12759193

Catalog # : .7518OT3E56-S

Performance : 190/380 V 50 Hz 4P

Rated current : 2.62/1.31 A
LRC : 5.7
Rated torque : 2.73 ft.lb
Locked rotor torque : 170 %
Breakdown torque : 240 %
Rated speed : 1445 rpm

Moment of inertia (J) : 0.0712 sq.ft.lb
Duty cycle : Cont.(S1)
Insulation class : F
Service factor : 1.25
Temperature rise : 80 K

Heating constant

Cooling constant

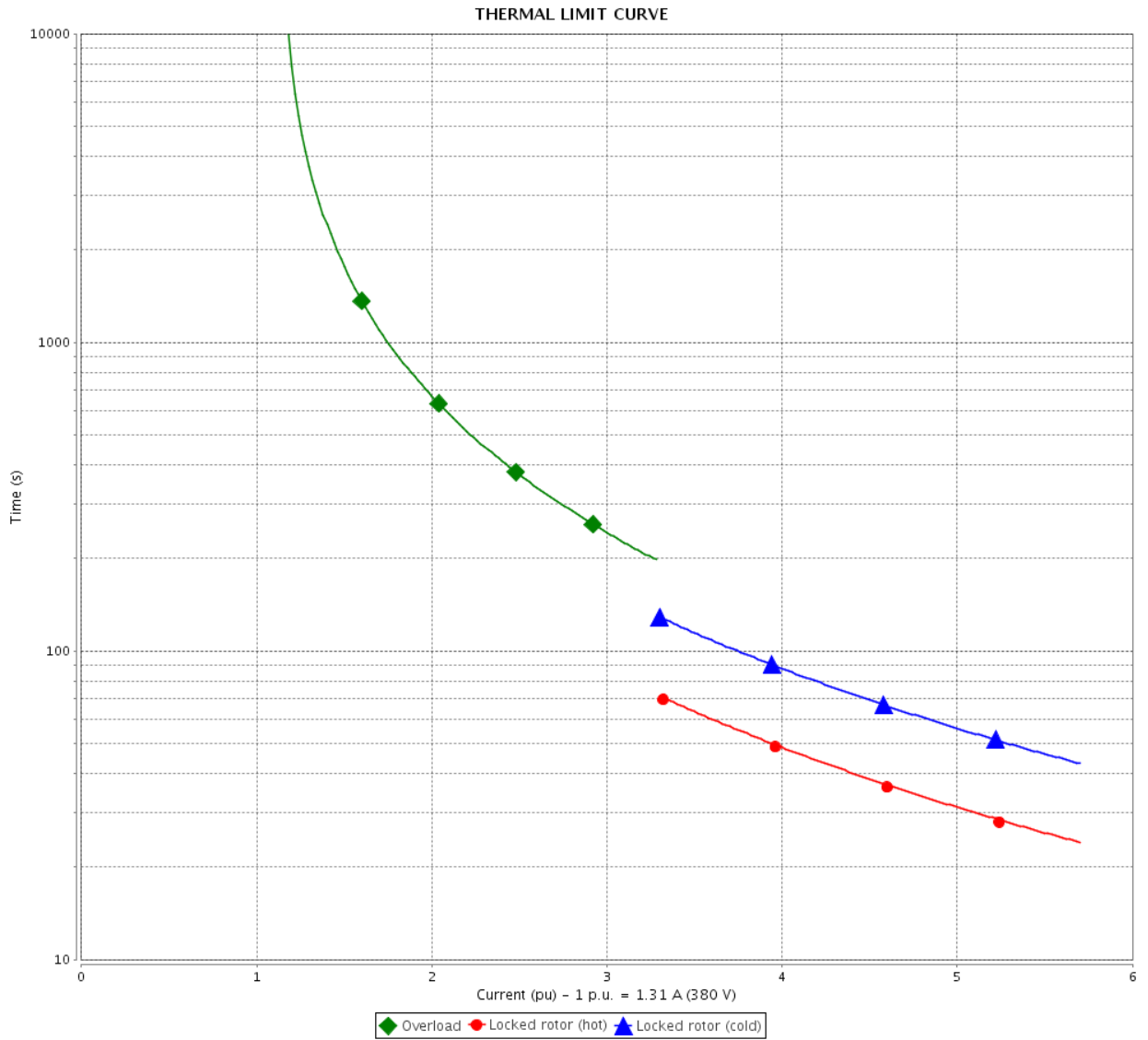
Rev.	Changes Summary	Performed	Checked	Date
Performed by				
Checked by			Page	Revision
Date	22/03/2021		10 / 16	

THERMAL LIMIT CURVE

Three Phase Induction Motor - Squirrel Cage



Customer : _____



Rev.	Changes Summary	Performed	Checked	Date
Performed by				
Checked by				
Date				
			Page	Revision
			11 / 16	

THERMAL LIMIT CURVE



Three Phase Induction Motor - Squirrel Cage

Customer :

Product line : Rolled Steel Premium Efficiency
Three-Phase

Product code : 12759193

Catalog # : .7518OT3E56-S

Performance : 220/415 V 50 Hz 4P

Rated current : 2.43/1.29 A
LRC : 6.2
Rated torque : 2.72 ft.lb
Locked rotor torque : 190 %
Breakdown torque : 270 %
Rated speed : 1450 rpm

Moment of inertia (J) : 0.0712 sq.ft.lb
Duty cycle : Cont.(S1)
Insulation class : F
Service factor : 1.25
Temperature rise : 80 K

Heating constant

Cooling constant

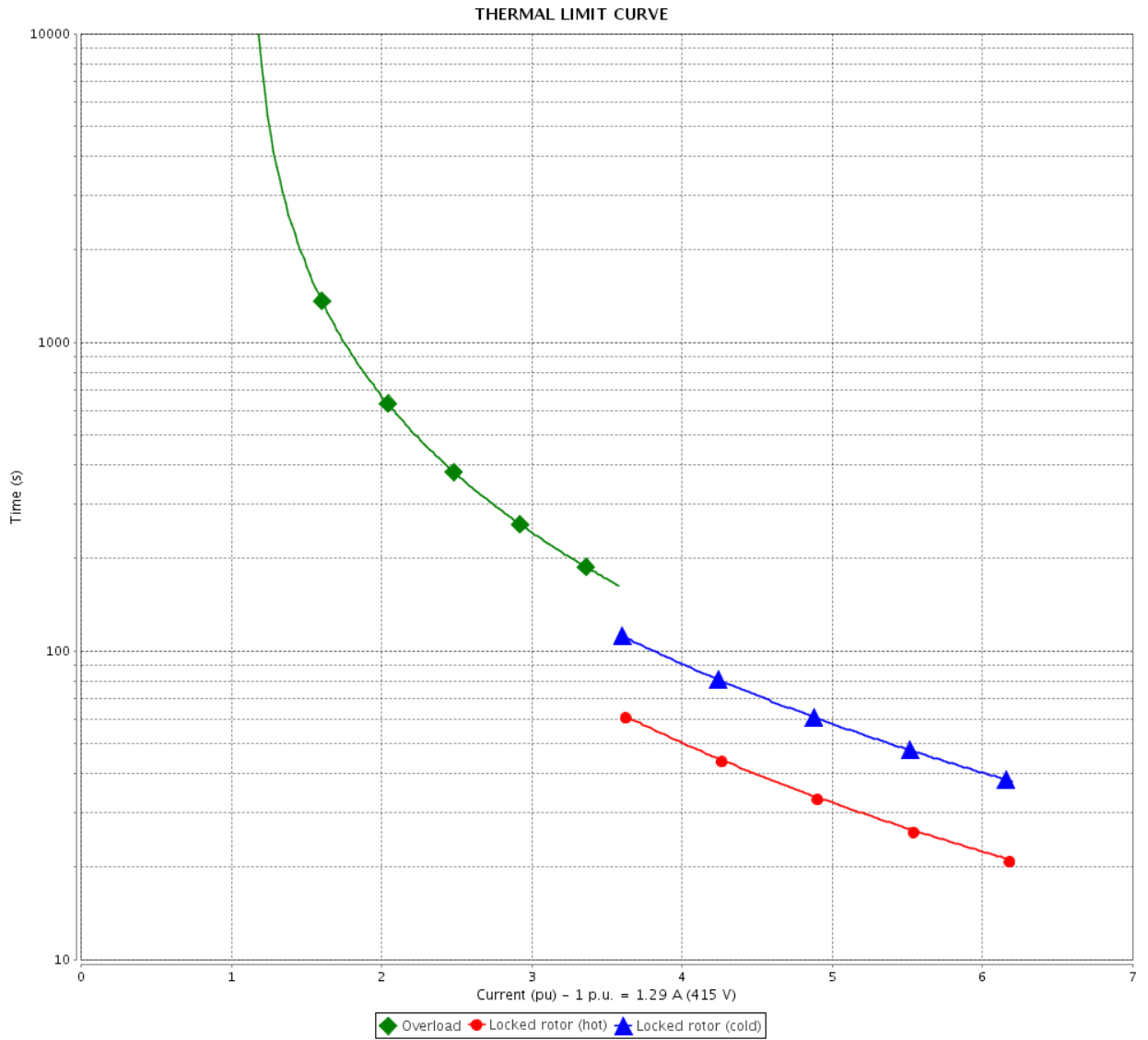
Rev.	Changes Summary	Performed	Checked	Date
Performed by				
Checked by			Page	Revision
Date	22/03/2021		12 / 16	

THERMAL LIMIT CURVE

Three Phase Induction Motor - Squirrel Cage



Customer : _____



Rev.	Changes Summary	Performed	Checked	Date
Performed by		Page 13 / 16		Revision
Checked by				
Date				

VFD OPERATION CURVE

Three Phase Induction Motor - Squirrel Cage

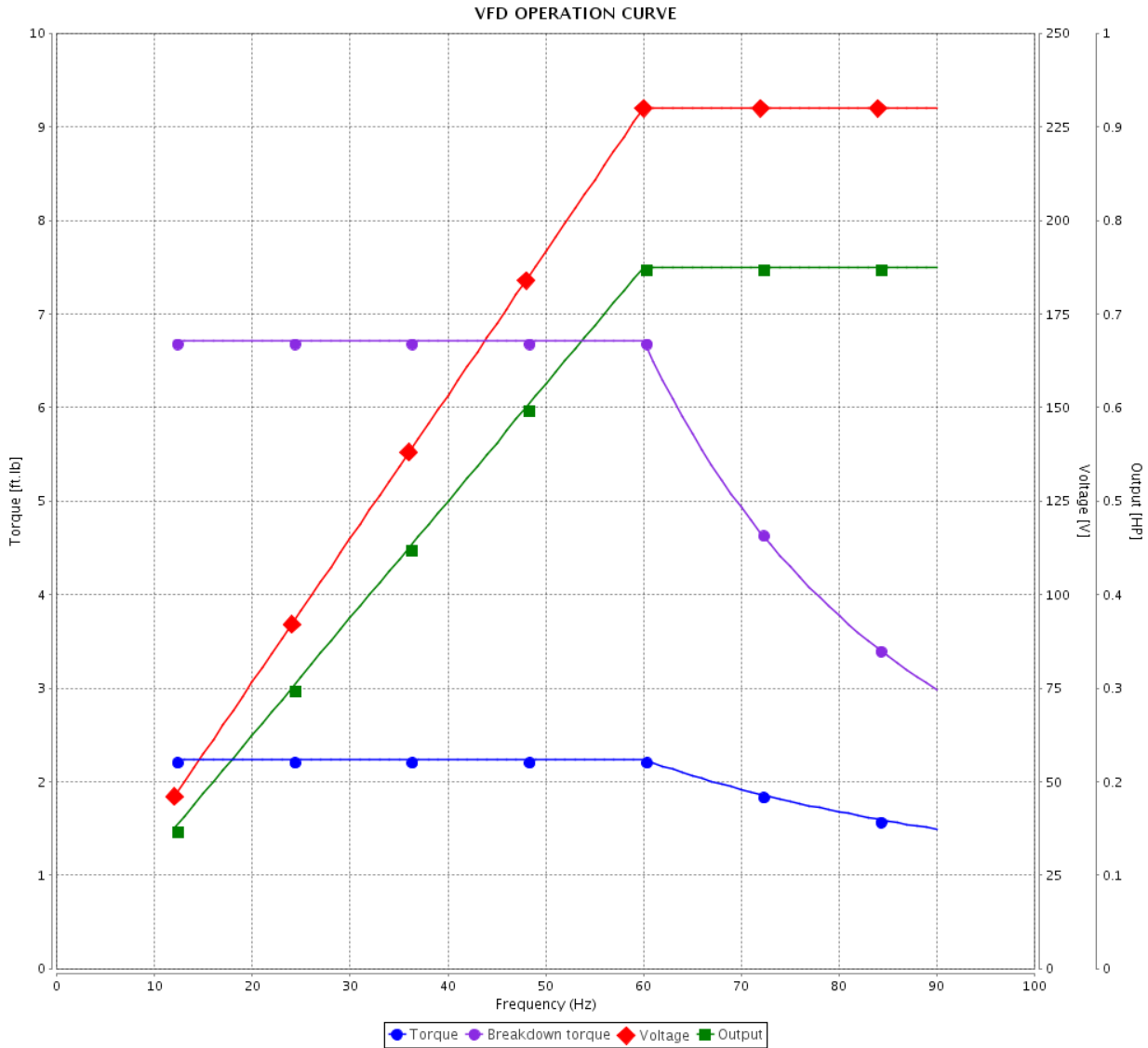


Customer : _____

Product line : Rolled Steel Premium Efficiency
Three-Phase

Product code : 12759193

Catalog # : .7518OT3E56-S



Performance : 208-230/460 V 60 Hz 4P

Rated current : 2.54-2.30/1.15 A
 LRC : 7.3
 Rated torque : 2.24 ft.lb
 Locked rotor torque : 250 %
 Breakdown torque : 300 %
 Rated speed : 1760 rpm

Moment of inertia (J) : 0.0712 sq.ft.lb
 Duty cycle : Cont.(S1)
 Insulation class : F
 Service factor :
 Temperature rise : 80 K

Rev.	Changes Summary	Performed	Checked	Date
Performed by			Page	Revision
Checked by				
Date				

VFD OPERATION CURVE

Three Phase Induction Motor - Squirrel Cage

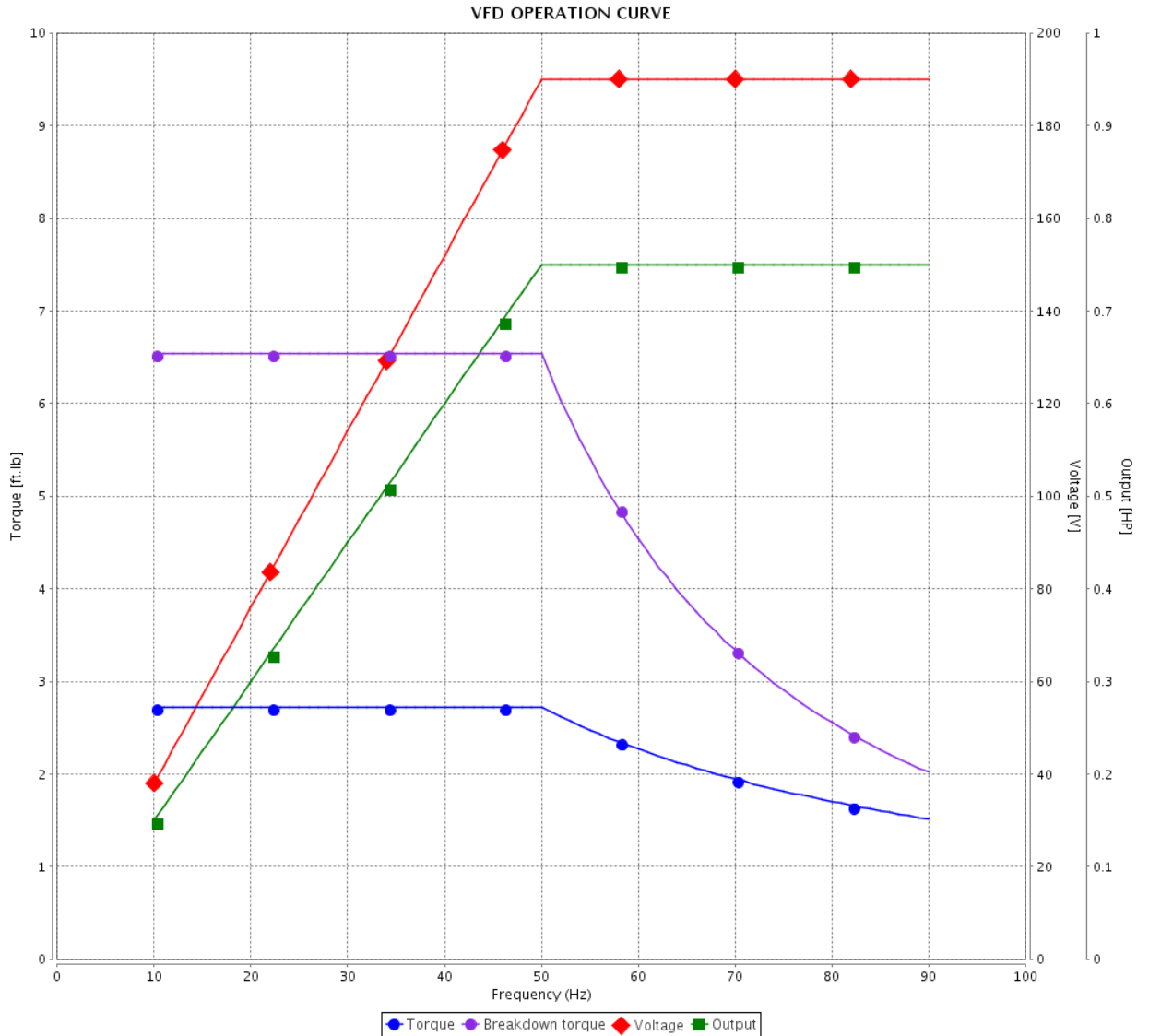


Customer :

Product line : Rolled Steel Premium Efficiency Three-Phase

Product code : 12759193

Catalog # : .7518OT3E56-S



Performance : 190/380 V 50 Hz 4P

Rated current : 2.62/1.31 A
 LRC : 5.7
 Rated torque : 2.73 ft.lb
 Locked rotor torque : 170 %
 Breakdown torque : 240 %
 Rated speed : 1445 rpm

Moment of inertia (J) : 0.0712 sq.ft.lb
 Duty cycle : Cont.(S1)
 Insulation class : F
 Service factor : 1.25
 Temperature rise : 80 K

Rev.	Changes Summary	Performed	Checked	Date
Performed by				Page 15 / 16
Checked by				
Date	22/03/2021			
				Revision

VFD OPERATION CURVE

Three Phase Induction Motor - Squirrel Cage

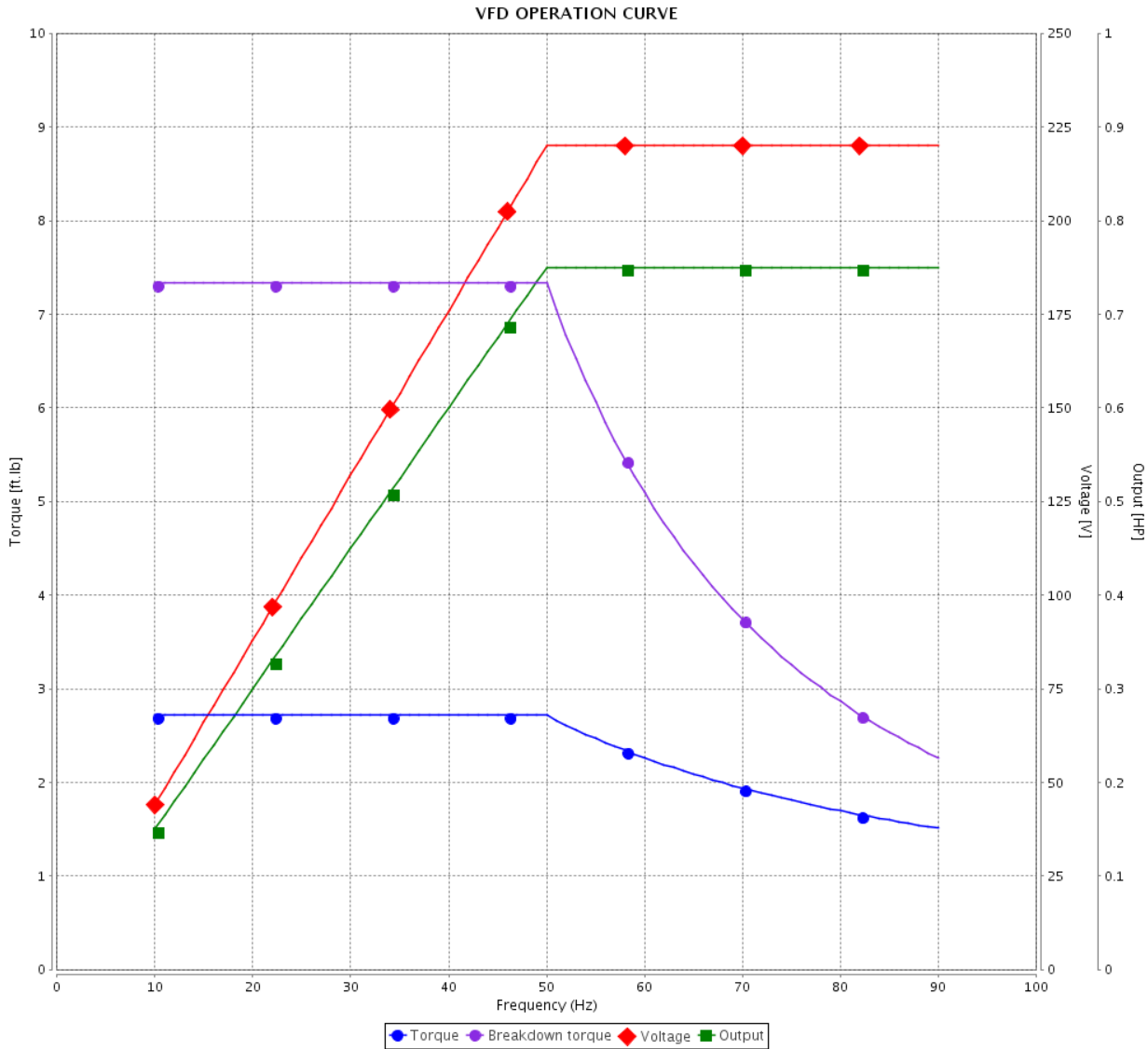


Customer :

Product line : Rolled Steel Premium Efficiency Three-Phase

Product code : 12759193

Catalog # : .7518OT3E56-S



Performance : 220/415 V 50 Hz 4P

Rated current : 2.43/1.29 A
 LRC : 6.2
 Rated torque : 2.72 ft.lb
 Locked rotor torque : 190 %
 Breakdown torque : 270 %
 Rated speed : 1450 rpm

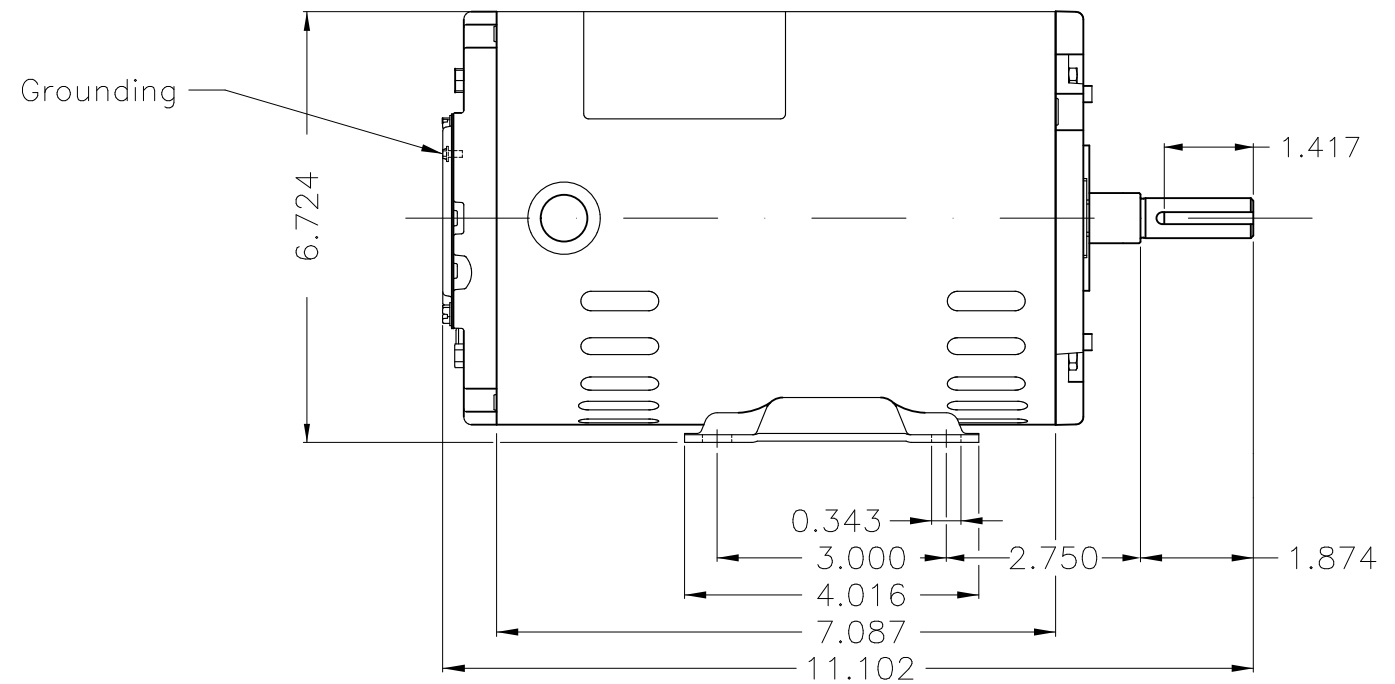
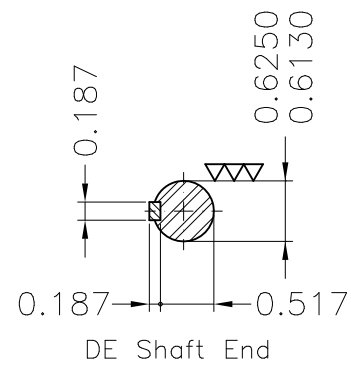
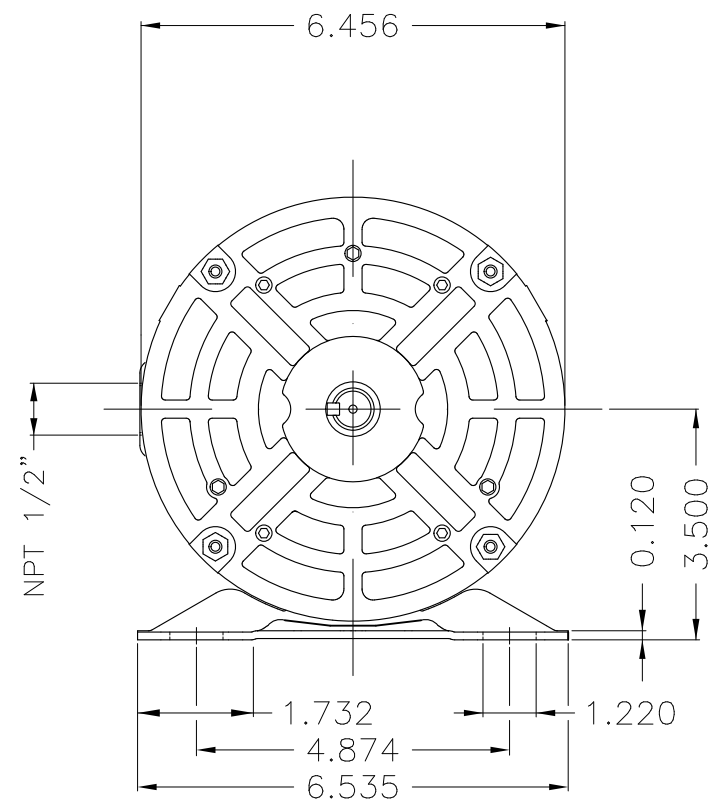
Moment of inertia (J) : 0.0712 sq.ft.lb
 Duty cycle : Cont.(S1)
 Insulation class : F
 Service factor : 1.25
 Temperature rise : 80 K

Rev.	Changes Summary	Performed	Checked	Date
Performed by			Page	Revision
Checked by				
Date				

No reproduction of this drawing is allowed without written permission of WEG Motores

EIXO
 PADRÃO
 OPCIONAL
 ESPECIAL
 Dimensões em polegada
 Dimensions in inches

THIS IS AN UPDATED REVISION, THE PREVIOUS ONE MUST BE DISREGARDED.



Without coating									
Mounting F-1/B3R(D)									
ECM	LOC	SUMMARY OF MODIFICATIONS			EXECUTED	CHECKED	RELEASED	DATE	VER
EXECUTED	USERADMIN	THREE P. MOTOR OPEN ROLLED STEEL PREM EFF							
CHECKED		FRAME 56 ODP							
RELEASED		WEG code: 12759193							
REL DT	22.03.2021	WMO	Jaragua do Sul	Product Engineering	SHEET	1 / 1			

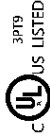
0.75 HP 04 Poles 60Hz

A





NEMA
Premium



3PT9



MADE IN MEXICO

MAT: 12759193

W01.T00IC0X0X

MODEL 75180T3E56-S

23MAR2021 B/N:

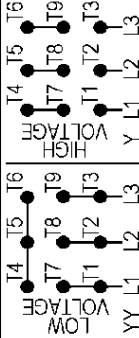


PH 3	Hz 60	HP 0.75
FR 56		KW 0.55
DUTY CONT.		V 230/460
ALT 1000 m.a.s.l.		A 2.30/1.15
INS CL F AT 80K		SFA 2.88/1.44
AMB 40°C	DES -	SF 1.25
ENCL ODP	CODE K	PF 0.74
USABLE @ 208V 2.54A		RPM 1760
SF1.00		AVG.F.L. 81.1%

ALTERNATE RATING: 0.75HP 50Hz 190-220/380-415V SF1.25
2.82-2.43/1.31-1.29A 1445RPM EFF 78.8% (IE2) IEC 60034-1

Inverter duty motor For 80Hz use on VPWM 1000:1 VT, 5:1 CT

DE 6203-ZZ ODE 6202-ZZ MOBIL POLYREX EM



T1-BLU T2-WHT
 T3-ORG T4-YEL
 T5-BLK T6-GRY
 T7-PNK T8-RED
 T9-BRK RED

INTERCHANGE ANY TWO LINE WIRES TO REVERSE THE ROTATION

WARNING: Motor must be grounded in accordance with local and national electrical codes to prevent serious electrical shocks. Disconnect power source before servicing unit.



AVERTISSEMENT: Le moteur doit être mis à la terre

conformément aux codes électriques locaux et nationaux afin d'éviter tout choc électrique grave. Déconnectez l'alimentation avant l'entretien de la machine.

