

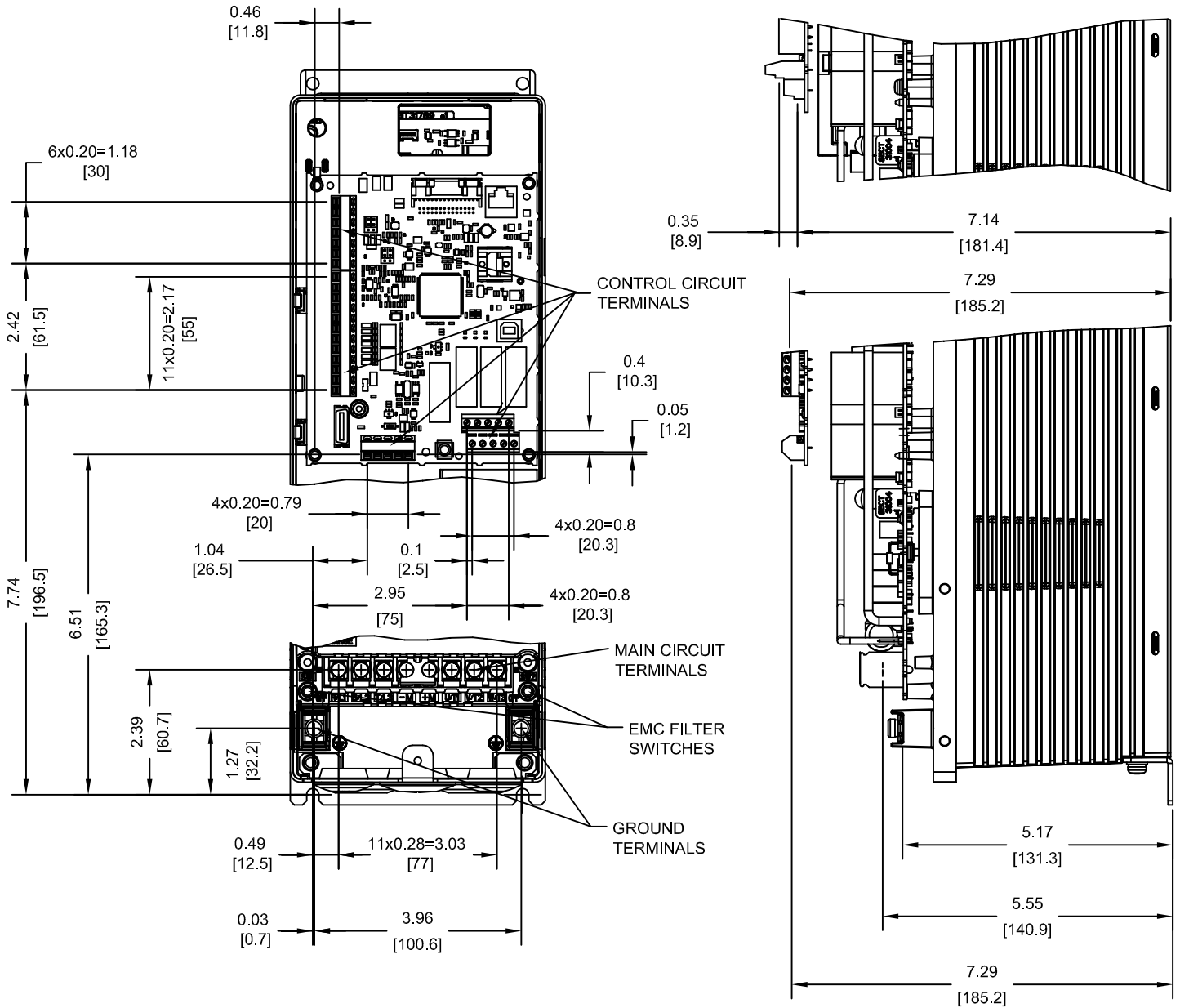
MODEL # CIMR-ZU	VOLTAGE THREE-PHASE (VAC)	OUTPUT CURRENT (A)	WEIGHT LBS (Kg)	HEAT LOSS (W) (Fc=5kHz)		
				INT	EXT	TOT
2A0011FXX	200/240	10.6	12.3 (5.6)	28	121	149
2A0017FXX		16.7	13.0 (5.9)	37	176	213
4A0005FXX	380/480	4.8	11.9 (5.4)	24	93	117
4A0008FXX		7.6	12.5 (5.7)	33	146	179
4A0011FXX		11.0	13.4 (6.1)	38	184	222

NOTE:
 XX DENOTES AA-ZZ
 INT=INTERNAL COMPONENTS
 EXT=EXTERNAL HEATSINK
 TOT=TOTAL

FOR ADDITIONAL DETAILS AND SPECIFICATIONS, CONSULT MANUAL

TOLERANCES / REFERENCES: THIS DOCUMENT AND INFORMATION CONTAINED IN IT ARE CONFIDENTIAL, AND CANNOT BE COPIED OR DISCLOSED IN WHOLE OR IN PART WITHOUT THE EXPRESS WRITTEN CONSENT OF YASKAWA AMERICA, INC.	YASKAWA		DRAWN: J. MATTAS	DATE: 8-23-11	TITLE: Z1000 DIMENSION DRAWING FRAME SIZE 1 NEMA TYPE 1 ENCLOSURE 2A0011 - 0017, 4A0005 - 0011			
	CHECKED: J. PIOTROWSKI		DATE: 10-21-11	SIZE: A REVISION: R00 PAGE: 1 of 3				
	TECH: J. BORJA		DATE: 9-22-11	DRAWING #: DD.Z1K.FR1.N1				
	APPROVED: J. CAIRO		DATE: 10-17-11	ORIGINAL DESIGN: - DATE: -				

TERMINAL AND WIRING DETAILS (SCALE 1:3)



TERMINAL AND WIRE SPECIFICATIONS FOR MAIN CIRCUIT AND GROUND

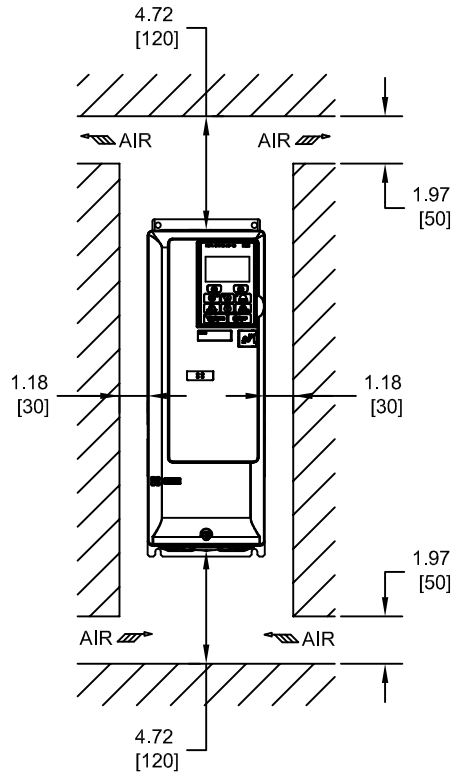
MODEL # CIMR-ZU	TERMINAL SYMBOL	TERMINAL SCREW	CLAMPING TORQUE lb.in.(N.m)	WIRE RANGE AWG(mm ²)
2A0011 2A0017 4A0005	R/L1, S/L2, T/L3, U/T1, V/T2, W/T3, -M, +M	M4	14 TO 16 (1.6 TO 1.8)	24-8 (0.25-10)
4A0008 4A0011	⊕	M5	24 TO 27 (2.7 TO 3.0)	

NOTE: REFER TO APPLICABLE CODES FOR PROPER WIRE TYPE AND SIZE

FOR ADDITIONAL DETAILS AND SPECIFICATIONS, CONSULT MANUAL

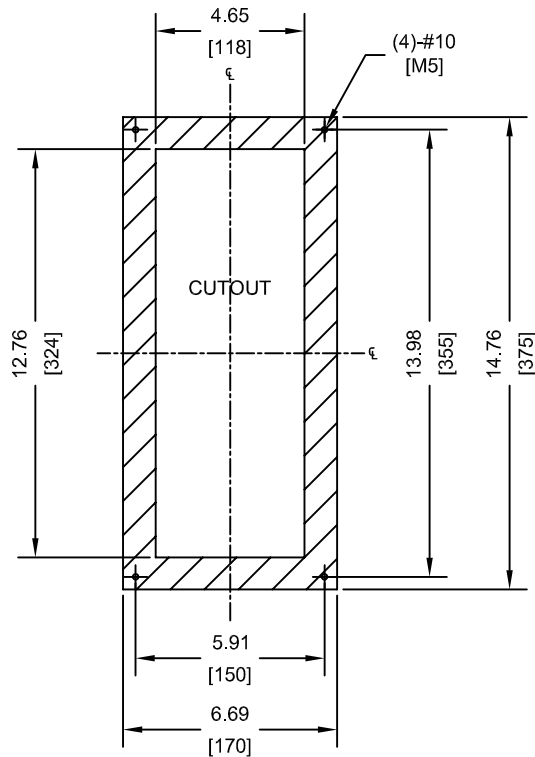
TOLERANCES / REFERENCES:	<p>THIS DOCUMENT AND INFORMATION CONTAINED IN IT ARE CONFIDENTIAL, AND CANNOT BE COPIED OR DISCLOSED IN WHOLE OR IN PART WITHOUT THE EXPRESS WRITTEN CONSENT OF YASKAWA AMERICA, INC.</p>	DRAWN: J. MATTAS DATE: 8-23-11	TITLE: Z1000 DIMENSION DRAWING			
		CHECKED: J. PIOTROWSKI DATE: 10-21-11	FRAME SIZE 1 NEMA TYPE 1 ENCLOSURE 2A0011 - 0017, 4A0005 - 0011			
		TECH: J. BORJA DATE: 9-22-11	SIZE A	REVISION R00	PAGE 2 of 3	
		APPROVED: J. CAIRO DATE: 10-17-11	DRAWING #: DD.Z1K.FR1.N1			
UNITS: IN [mm]	SCALE: BY VIEW	ORIGINAL DESIGN: -	DATE: -			

MINIMUM INSTALLATION CLEARANCES (SCALE 1:8)



NOTE:
FOR SIDE-BY-SIDE MOUNTING
CONSULT MANUAL

PANEL CUTOUT FOR EXTERNAL HEATSINK
MOUNTING CONFIGURATION (SCALE 1:6)



NOTES:

1. EXTERNAL HEATSINK CONFIGURATION REQUIRES MOUNTING KIT
2. CUTOUT TOLERANCES: +/- 0.02IN (0.5MM)
3. EXPOSED HEATSINK DEPTH D=4.15" MINUS PANEL THICKNESS

FOR ADDITIONAL DETAILS AND SPECIFICATIONS, CONSULT MANUAL

TOLERANCES / REFERENCES:			DRAWN: J. MATTAS 8-23-11	TITLE: Z1000 DIMENSION DRAWING	
			CHECKED: J. PIOTROWSKI 10-21-11	FRAME SIZE 1 NEMA TYPE 1 ENCLOSURE 2A0011 - 0017, 4A0005 - 0011	
		TECH: J. BORJA 9-22-11	DATE: 9-22-11	SIZE: A	REVISION: R00
		APPROVED: J. CAIRO 10-17-11	DATE: 10-17-11	PAGE 3 of 3	
UNITS: IN [mm]	SCALE: BY VIEW	ORIGINAL DESIGN: -	DATE: -	DRAWING #: DD.Z1K.FR1.N1	

THIS DOCUMENT AND INFORMATION CONTAINED IN IT ARE CONFIDENTIAL, AND CANNOT BE COPIED OR DISCLOSED IN WHOLE OR IN PART WITHOUT THE EXPRESS WRITTEN CONSENT OF YASKAWA AMERICA, INC.