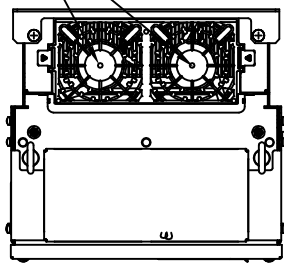
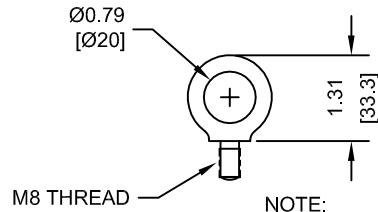


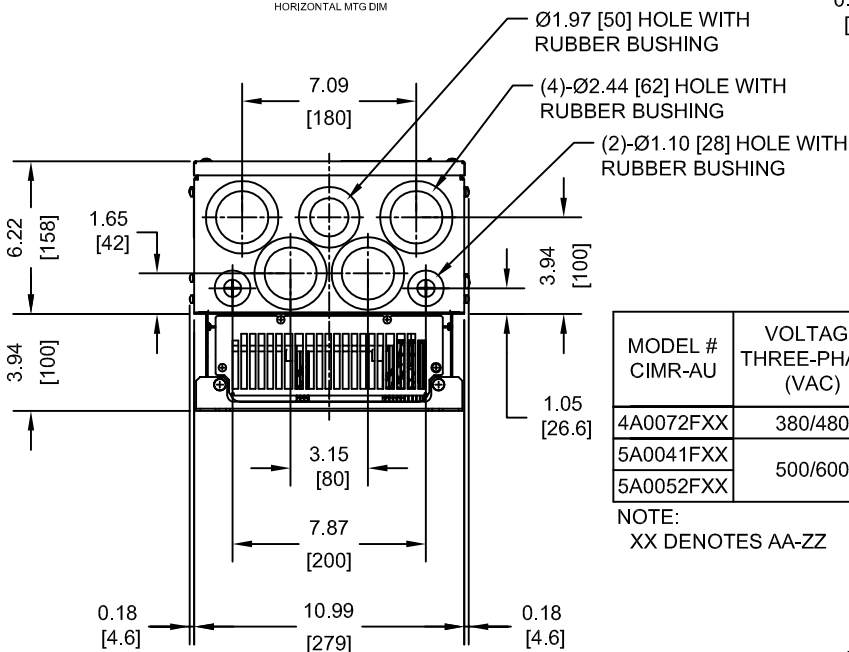
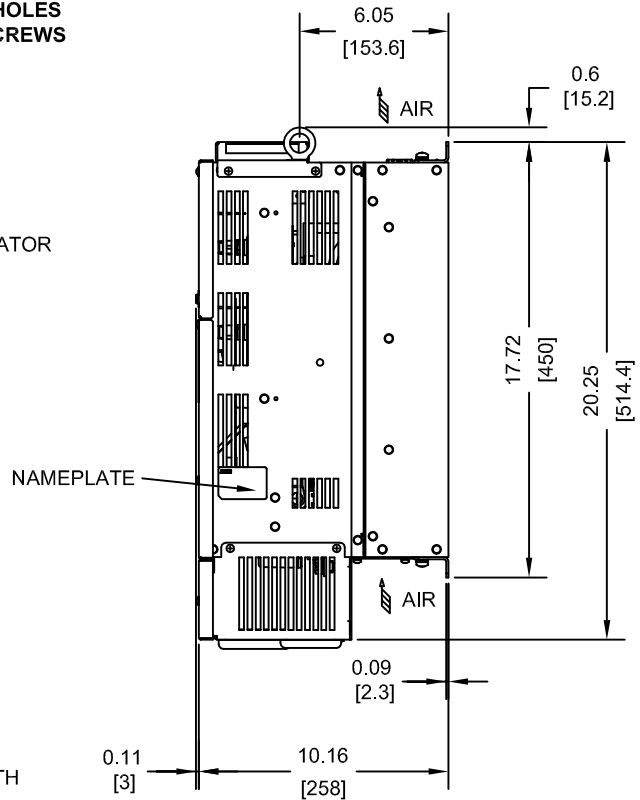
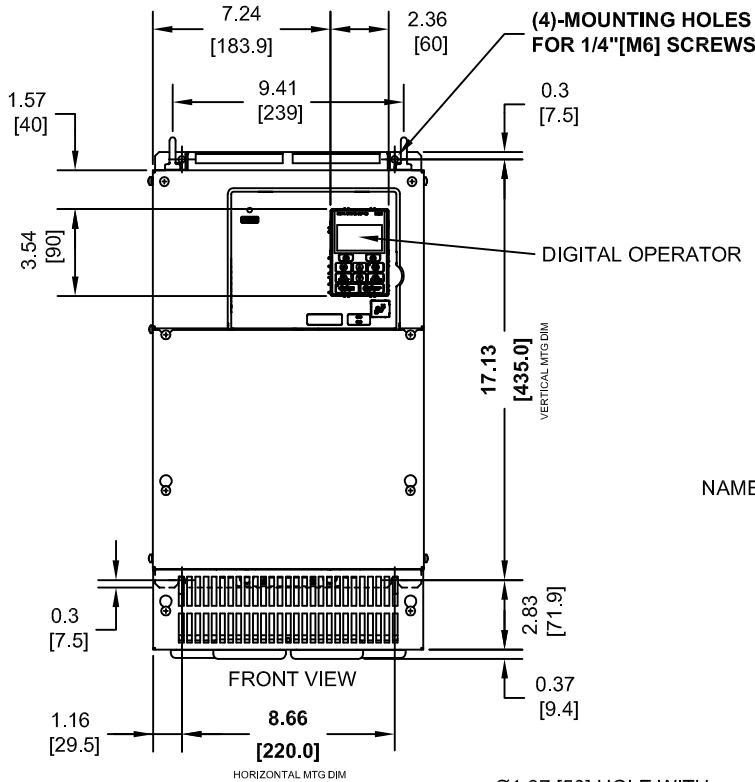
(2) EXTERNAL COOLING FANS



LIFTING AND EYEBOLT DETAILS



NOTE:
SPREADER BAR REQUIRED TO AVOID DAMAGE DURING LIFTING



MODEL # CIMR-AU	VOLTAGE THREE-PHASE (VAC)	OUTPUT CURRENT (A)		WEIGHT LBS (Kg)	HEAT LOSS (W)					
		ND	HD		ND (Fc=2kHz)			HD (Fc=8kHz)		
					INT	EXT	TOT	INT	EXT	TOT
4A0072FXX	380/480	72	60	59.4 (27)	265	605	870	217	484	701
5A0041FXX	500/600	41	32	59.4 (27)	136	331	467	128	406	534
5A0052FXX		52	41	59.4 (27)	166	428	594	161	527	688

NOTE:
XX DENOTES AA-ZZ

INT=INTERNAL COMPONENTS
EXT=EXTERNAL HEATSINK
TOT=TOTAL

FOR ADDITIONAL DETAILS AND SPECIFICATIONS, CONSULT MANUAL

TOLERANCES / REFERENCES:



THIS DOCUMENT AND INFORMATION CONTAINED
IN IT ARE CONFIDENTIAL, AND CANNOT BE
COPIED OR DISCLOSED IN WHOLE OR IN PART
WITHOUT THE EXPRESS WRITTEN CONSENT
OF YASKAWA AMERICA, INC.

DRAWN:
J. MATTAS

CHECKED:
J. PIOTROWSKI

TECH:
J. CAIRO

APPROVED:
T. SASADA

ORIGINAL DESIGN:
-

DATE
8-12-10

DATE
12-10-10

DATE
12-14-10

DATE
12-17-10

DATE
-

TITLE:

A1000 DIMENSION DRAWING

FRAME SIZE 8B

NEMA TYPE 1 ENCLOSURE

4A0072, 5A0041 & 5A0052

SIZE
A

REVISION
R00

PAGE
1 of 3

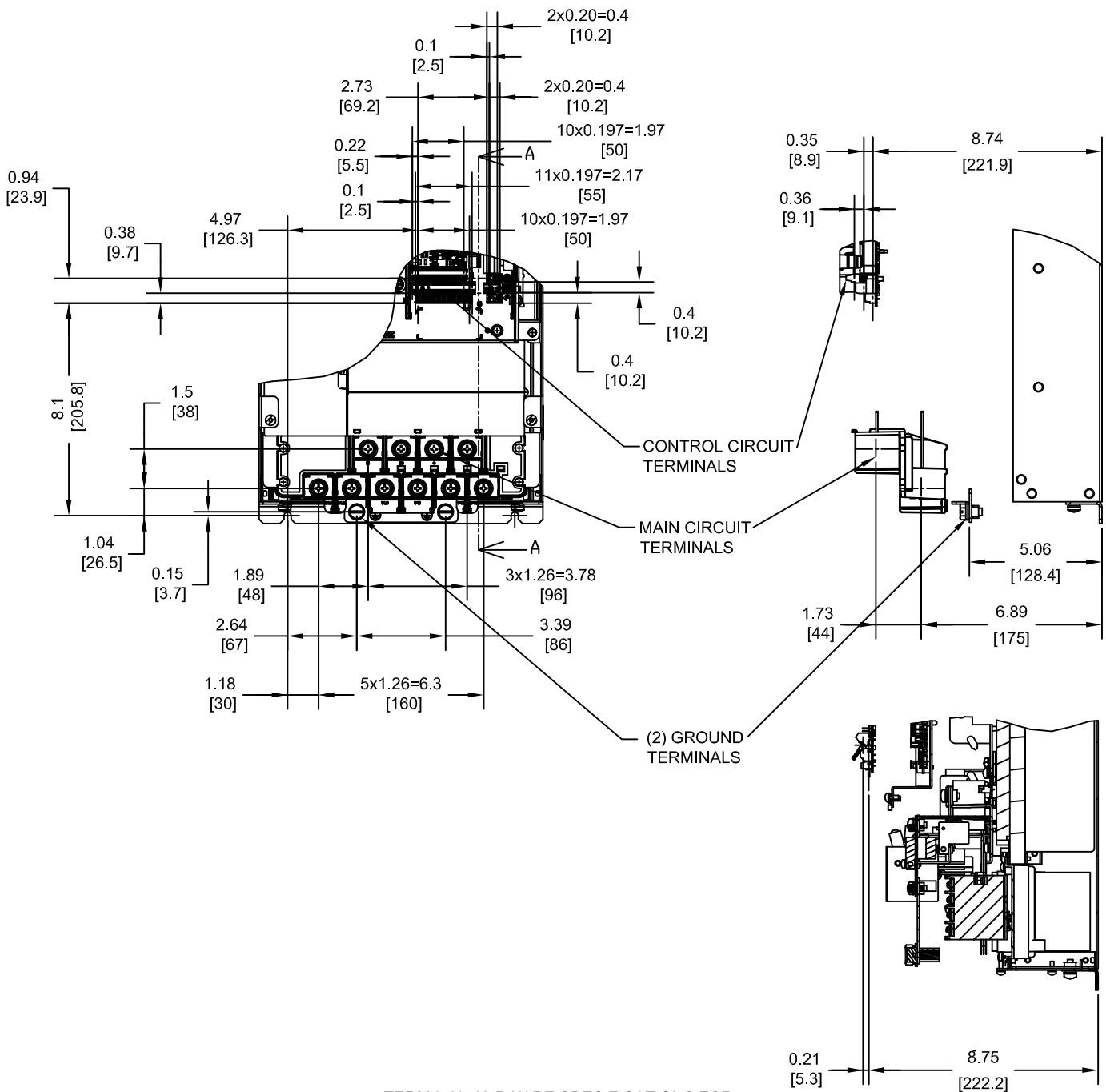
DRAWING #:

DD.A1K.FR8B.N1

UNITS:
IN [mm]

SCALE:
1:8

TERMINAL AND WIRING DETAILS (SCALE 1:6)



TERMINAL AND WIRE SPECIFICATIONS FOR MAIN CIRCUIT AND GROUND

SECTION A-A

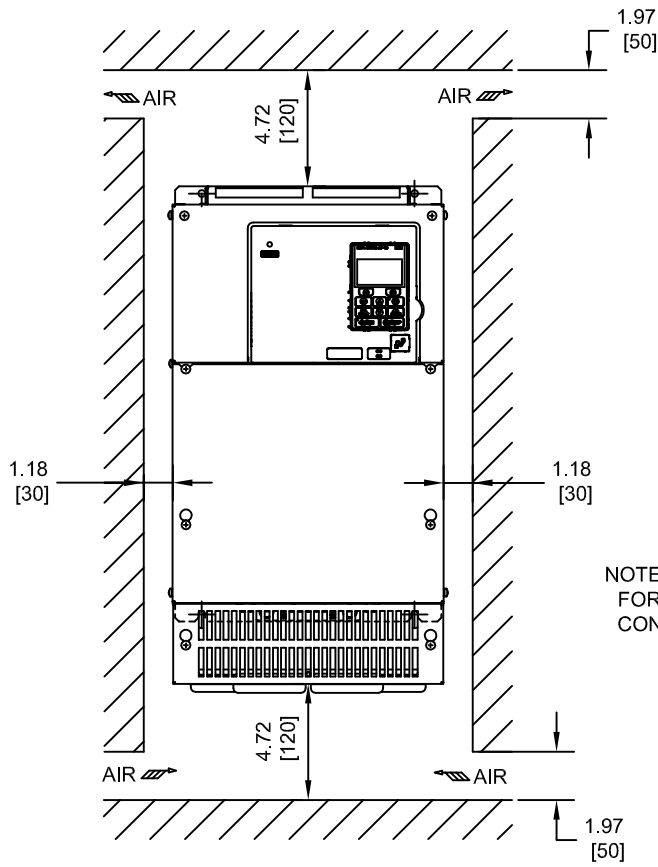
MODEL # CIMR-AU	TERMINAL SYMBOL	TERMINAL SCREW	CLAMPING TORQUE lb.in.(N.m.)	WIRE RANGE AWG(mm ²)
4A0072 5A0041 5A0052	R/L1, S/L2, T/L3	M8	79.7 TO 97.4 (9 TO 11)	10-3/0 (5.3-85.0)
	U/T1, V/T2, W/T3			
	⊖, ⊕1			
	B1, B2	M8	79.7 TO 97.4 (9 TO 11)	SEE NOTE
	⊕			

NOTE: REFER TO APPLICABLE CODES FOR PROPER WIRE TYPE AND SIZE

FOR ADDITIONAL DETAILS AND SPECIFICATIONS, CONSULT MANUAL

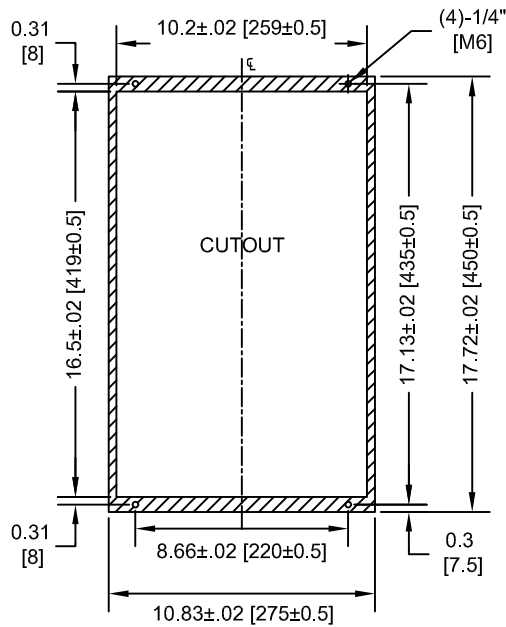
TOLERANCES / REFERENCES:			DRAWN: J. MATTAS DATE: 8-12-10	TITLE: A1000 DIMENSION DRAWING FRAME SIZE 8B NEMA TYPE 1 ENCLOSURE 4A0072, 5A0041 & 5A0052
UNITS: IN [mm] SCALE: BY VIEW			CHECKED: J. PIOTROWSKI DATE: 12-10-10	DATE: 12-14-10
THIS DOCUMENT AND INFORMATION CONTAINED IN IT ARE CONFIDENTIAL, AND CANNOT BE COPIED OR DISCLOSED IN WHOLE OR IN PART WITHOUT THE EXPRESS WRITTEN CONSENT OF YASKAWA AMERICA, INC.		TECH: J. CAIRO DATE: 12-17-10	DATE: 12-17-10	SIZE: A REVISION: R00 PAGE: 2 of 3
		APPROVED: T. SASADA	DATE: -	DRAWING #: DD.A1K.FR8B.N1

MINIMUM INSTALLATION CLEARANCES (SCALE 1:8)



NOTE:
FOR SIDE-BY-SIDE MOUNTING
CONSULT MANUAL

PANEL CUTOUT FOR EXTERNAL HEATSINK
MOUNTING CONFIGURATION (SCALE 1:8)



NOTE:
EXPOSED HEATSINK DEPTH
D=3.94" MINUS PANEL THICKNESS

FOR ADDITIONAL DETAILS AND SPECIFICATIONS, CONSULT MANUAL

TOLERANCES / REFERENCES:			DRAWN: J. MATTAS	DATE: 8-12-10	TITLE: A1000 DIMENSION DRAWING FRAME SIZE 8B NEMA TYPE 1 ENCLOSURE 4A0072, 5A0041 & 5A0052	
			CHECKED: J. PIOTROWSKI	DATE: 12-10-10		
		THIS DOCUMENT AND INFORMATION CONTAINED IN IT ARE CONFIDENTIAL, AND CANNOT BE COPIED OR DISCLOSED IN WHOLE OR IN PART WITHOUT THE EXPRESS WRITTEN CONSENT OF YASKAWA AMERICA, INC.			TECH: J. CAIRO	DATE: 12-14-10
					APPROVED: T. SASADA	DATE: 12-17-10
UNITS: IN [mm]	SCALE: BY VIEW	ORIGINAL DESIGN: -		DATE: -	SIZE: A	REVISION: R00
					DRAWING #: DD.A1K.FR8B.N1	PAGE: 3 of 3